



650nm Pigtailed Components

Features

- Wavelength : 650nm(Typ.)
- Output power : 1-20mW
- Threshold current : $I_{th}=15\text{mA}$ (Typ.)
- Operating voltage : $V_{op}=1.5\text{V}$ (Typ.)
- Package : Coaxial Pigtail $\phi 6.0\text{mm}$



Applications

Light source

Absolute Maximum Ratings

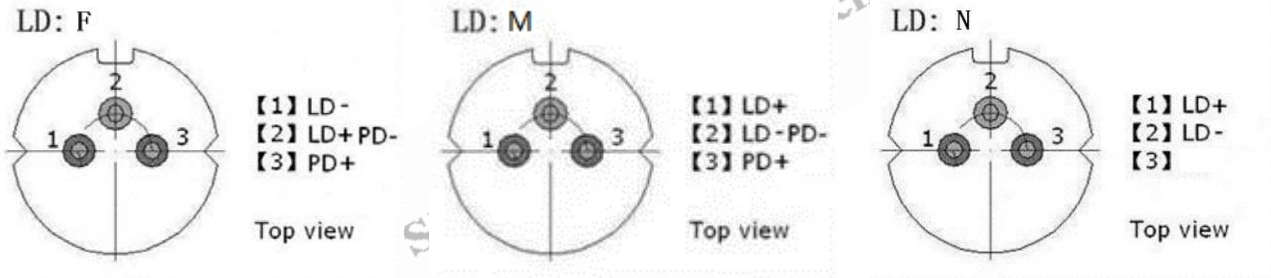
Parameter	Symbol	Min.	Max.	Unit
Fiber Output Power	$P_o(\text{CW})$		20	mW
Forward Current(LD)	$I_f(\text{LD})$		180	mA
Reverse Voltage(LD)	$V_r(\text{LD})$		2	V
Forward Current(PD)	$I_f(\text{PD})$		2	mA
Reverse Voltage(PD)	$V_r(\text{PD})$		15	V
Storage Temperature	T_{stg}	-40	85	$^{\circ}\text{C}$
Operating Temperature	T_o	-10	60	$^{\circ}\text{C}$
Lead Solder Temperature	-		260	$^{\circ}\text{C}$
Lead Solder Time	-		10	S

Optical & Electrical Characteristics

Parameter	Symbol	Min.	Typical	Max.	Unit
Output Power	P_o	1		20	mW
Threshold Current	I_{th}		15	30	mA
Opersting Current	I_f		40	130	mA
Opersting Voltage	V_f		1.5	1.8	V
Monitor Current	I_m	200		800	μA
Cent Wavelength	λ_c	645		660	nm
Spectral Width(RMS)	$\Delta\lambda$		2	3	nm
Spectral Shift	$\Delta\lambda/\Delta T$			0.2	nm/ $^{\circ}\text{C}$
Fiber	SM(4 μm or 9 μm), MM, other				

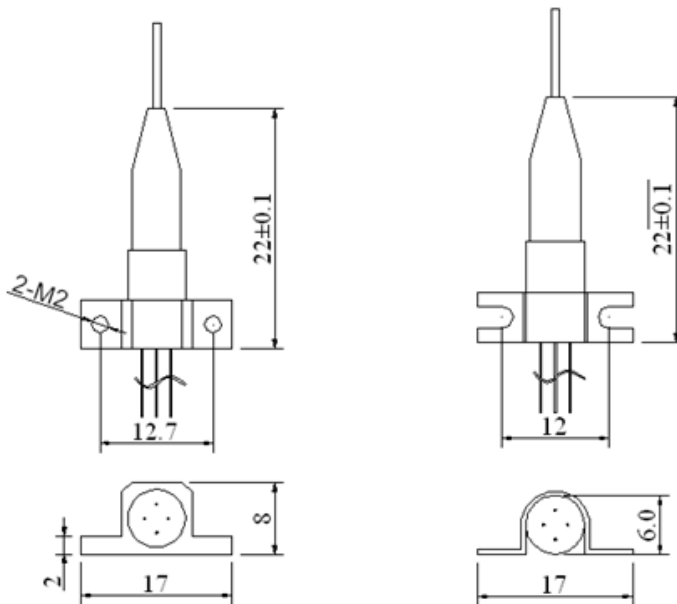
Pin Assignment

Address: 5-floor,Block B Creative Building, Shaojia Tsui, Wenzhi St.,Hongshan District,Wuhan, City,Hubei,P.R.China
430074



Note: F Type Pin Applicable Power 1~2mw,
M Type Pin Applicable Power 1~5mw,
N Type Pin Applicable Power 5~20mw

Drawing



Order Information

S650-XXXXX

S	650	-X	X	X	X	X
Mode	Wavelength	Connector	Fiber Type	Pin Type	Pigtail Length	Power Range
	650: 650nm	1: FC/APC 2: FC/PC 3: SC/APC 4: SC/PC 5: ST/PC	S4:SM 4um S9:SM 9um M5:MM 50 M6:MM 62.5	F M N	05: 0.5M 10: 1.0M	P1: >1mW P2: >2mW P20: >20mW

Additional requirements can be settled through friendly negotiation.

Shengshi Optical Tech. Co.,Ltd reserves the right to make changes to the product or information contained herein without notice.